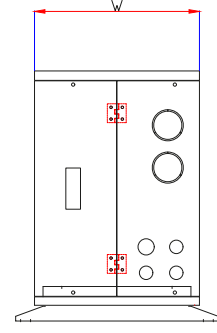
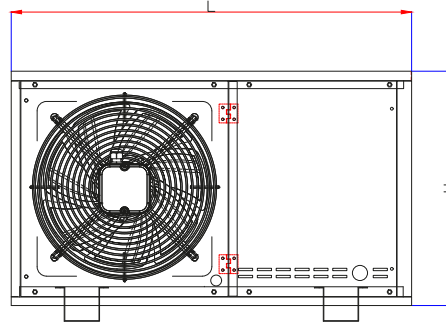
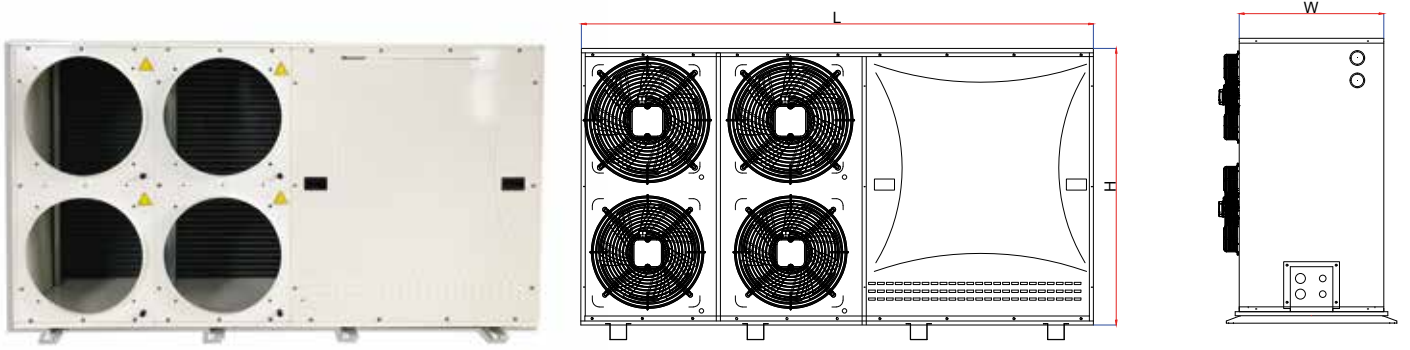


GNYBOX KABİNLİ KONDENSER GNYBOX CONDENSING UNITS



Hatve / Fin Spacing	Fan / Fans	Model Model	Yüzey / Surface m ²	Boru Hacmi Tube Volume dm ³	Kapasite / Capacity		Fan Bilgileri / Fan Data			Boyutlar Dimensions			Giriş Input mm	Çıkış Output mm
					R 404 / ΔT=15K		Fan Adet Fan Piece	Fan Çapı Fan Diameter mm	Hava Debisi Air Flow m ³ /h	L mm	H mm	W mm		
					Watt	Kcal								
					1/230 V 50 Hz 1400 rpm									
2,1 mm	MINİBOX-10		10	0,9	3985	3435	1	300	1890	450	450	600	12	12
	TEK FANLI	GNYBOX -10	10	0,9	4240	3646	1	350	2379	950	520	350	16	12
		GNYBOX -15	15	1,3	6150	5289	1	400	2502				16	12
		GNYBOX -20	20	1,7	7470	6424	1	400	2983				16	12
		GNYBOX -25	25	2,2	8360	7190	1	400	2706	1050	600	350	16	12
		GNYBOX -30	30	2,7	9800	8500	1	450	3708				19	16
		GNYBOX -40	40	3,4	13560	11662	1	500	4265	1100	650	400	19	16
		GNYBOX -50	50	4,1	14290	12289	1	500	4050				19	16
	ÇİFT FANLI	GNYBOX -42	42	3,1	15000	12900	2	400	5994	1100	1150	400	19	16
		GNYBOX -52	52	4,3	18320	15755	2	450	6477				22	19
		GNYBOX -60	60	5,2	19100	16426	2	450	5976				22	19
		GNYBOX -70	70	5,2	19550	16813	2	450	5739				22	19
	MAXİ ÇİFT FANLI	GNYBOX -50 SH	50	4,1	22180	19075	2	500	11141	1350	1200	500	22	19
		GNYBOX -60 SH	60	5,4	25510	21939	2	500	10196				22	19
		GNYBOX -70 SH	70	5,4	26800	23048	2	500	9882				28	22
GNYBOX -80 SH		80	6,8	28560	24562	2	500	8882	28				22	
GNYBOX -100 SH		100	8,3	30070	25860	2	500	8382	28				22	

GBOX 4 FANLI KABİNLİ KONDENSER GBOX 4 FANS CONDENSING UNITS



Hatve / Fin Spacing Fan / Fans	Model Model	Yüzey / Surface m ²	Boru Hacmi Tube Volume dm ³	Kapasite / Capacity		Fan Bilgileri / Fan Data			Boyutlar Dimensions			Giriş Input mm	Çıkış Output mm
				R 404 / ΔT=15K		Fan Adet Fan Piece Adet	Fan Çapı Fan Diameter mm	Hava Debisi Air Flow 1400 rpm m ³ /h	L mm	H mm	W mm		
				1/230 V 50 Hz 1400 rpm	Watt								
2,1 mm DÖRT FANLI	GBOX 85-445 SH	85	6,6	36500	31400	4	450	17060	2300	1270	650	35	28
	GBOX 85-450 SH	85	6,6	42560	36650	4	500	22880	2300	1270	650	35	28
	GBOX 100-450 SH	100	7,8	47500	40850	4	500	22280	2300	1270	650	35	28
	GBOX 120-450 SH	120	9,6	50600	43550	4	500	20390	2300	1270	650	42	28
	GBOX 140-450 SH	140	10,5	54700	47050	4	500	19760	2300	1270	650	42	28
	GBOX 172-450 SH	172	13,5	60810	52300	4	500	19160	2300	1270	650	42	28
	GBOX 205-450 SH	205	16,5	65000	55900	4	500	18560	2300	1270	650	42	35