

INSTRUCTIONS

Solenoid valves type:
1020 -2 1020 -2S
1020 -3 1020 -3S

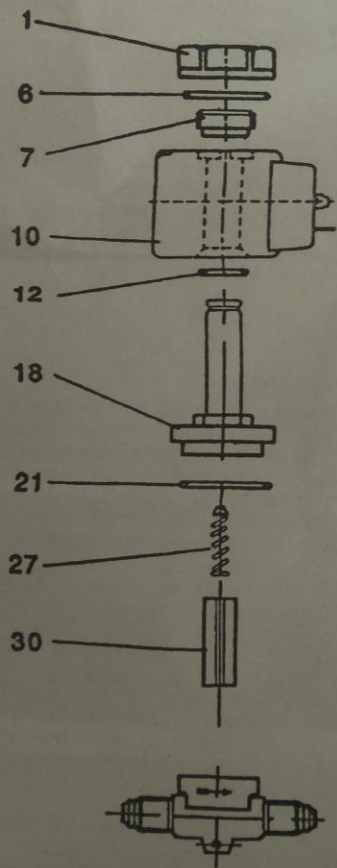
CONNECTION TO THE CIRCUIT

- 1) Before connecting the valves to the circuit, check:
 - 1.1) Pipelines are clean: the seat gaskets on the valves are particularly sensitive to dirt, dust, etc.
 - 1.2) The arrow on the valve body corresponds to the direction of flow.
 - 1.3) the coil voltage and frequency correspond to the line values.
- 2) The valve can be mounted in any position, except with the coil pointing downwards.
- 3) It is not necessary dismantling the valves with solder connections. Hold the soldering flame away from valve body.

MAINTENANCE

- 1) To change the coil 10, remove the locking nut 1 (with the O-Ring 6) and the screw 7. The O-Ring 12 will remain on the armature tube 18.

N.B: the coil is protected from moisture and water only if the O-Ring 12 is correctly mounted and the locking nut 1 is tightened to 1,2:1,4Nm.
- 2) To get to the inside of the valve screw out the armature tube 18, taking care the armature 30, which is inside, does not drop.
- 3) Reassembling the valve check:
 - 3.1) The spring 27 is properly placed in the seating in the armatures.
 - 3.2) The O-Ring 21 is in good conditions (otherwise replace it).
 - 3.3) The seating of the O-Ring 21 must be clean.



INSTRUCTIONS

Solenoid valves type:
1064 -3 1064 -3S
1064 -4 1064 -4S
1070 -4 1070 -4S
1070 -5 1070 -5S

CONNECTION TO THE CIRCUIT

- 1) Before connecting the valves to the circuit, check:
 - 1.1) Pipelines are clean: the seat gaskets on the valves are particularly sensitive to dirt, dust, etc.
 - 1.2) The arrow on the valve body corresponds to the direction of flow.
 - 1.3) The coil voltage and frequency correspond to the line values.
- 2) The valve can be mounted in any position, except with the coil pointing downwards.
- 3) It is not necessary dismantling the valves with solder connections. Hold the soldering flame away from valve body. Wrap the valve body with wet rags and, finished soldering, dry the body before assembling the coil.

MAINTENANCE

- 1) To change the coil 10, remove the locking nut 1 (with the O-Ring 6) and the screw 7. The O-Ring 12 will remain on the armature tube 18.

N.B: the coil is protected from moisture and water only if the O-Ring 12 is correctly mounted and the locking nut 1 is tightened to 1,2:1,4Nm.
- 2) To get to the inside of the valve unscrew the four screws 14 and pull out the armature tube 18, taking care the armature 30, which is inside, does not drop.
- 3) Reassembling the valve check:
 - 3.1) The spring 27 is properly placed in the seating in the armature.
 - 3.2) The diaphragm 36 and the drilled washer 38 must be filled in the right side (washer 38 with its bend edge downwards).
 - 3.3) The O-Ring 21 is in good conditions (otherwise replace it).
 - 3.4) The seating of the O-Ring 21 must be clean.

