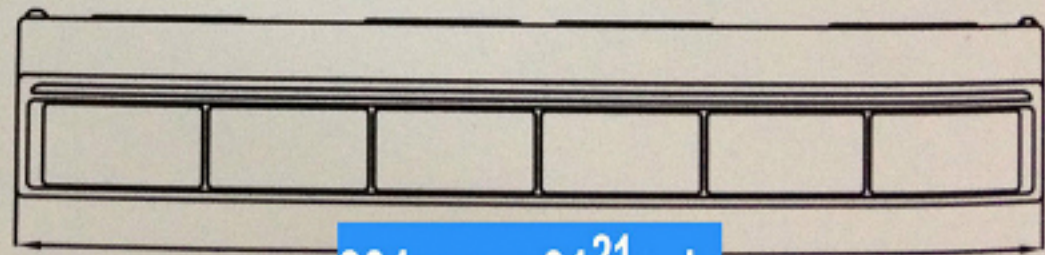
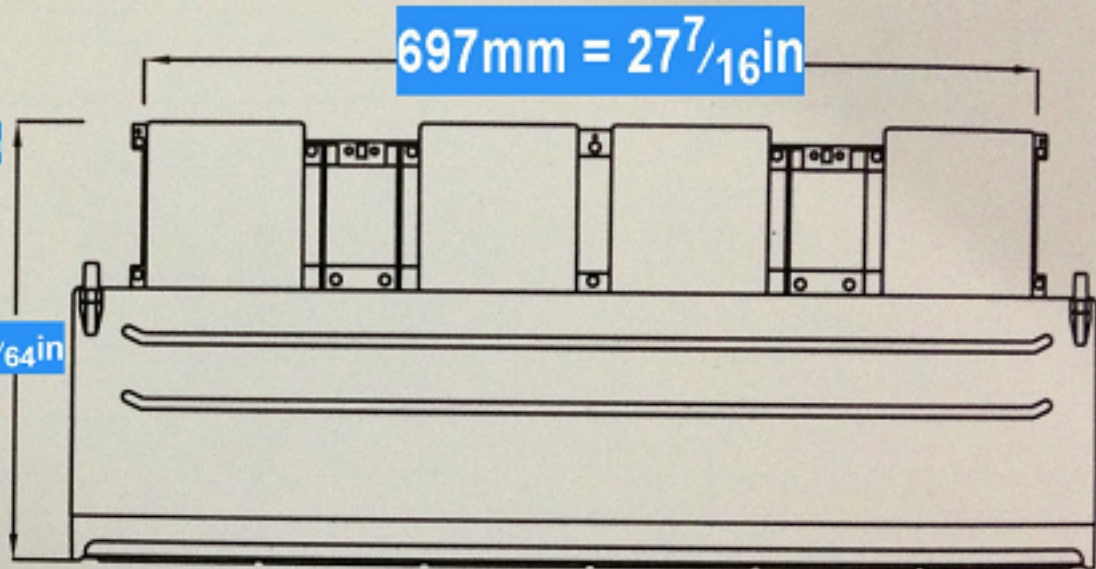


341mm = $13\frac{27}{64}$ in



804mm = $31\frac{21}{32}$ in