



AXIAL FAN

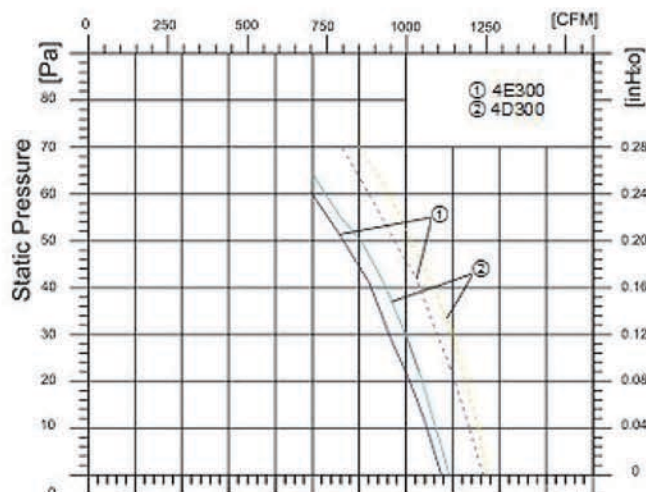
4E300, 4D300

Available in Forced (B) and Induced (S) Draft

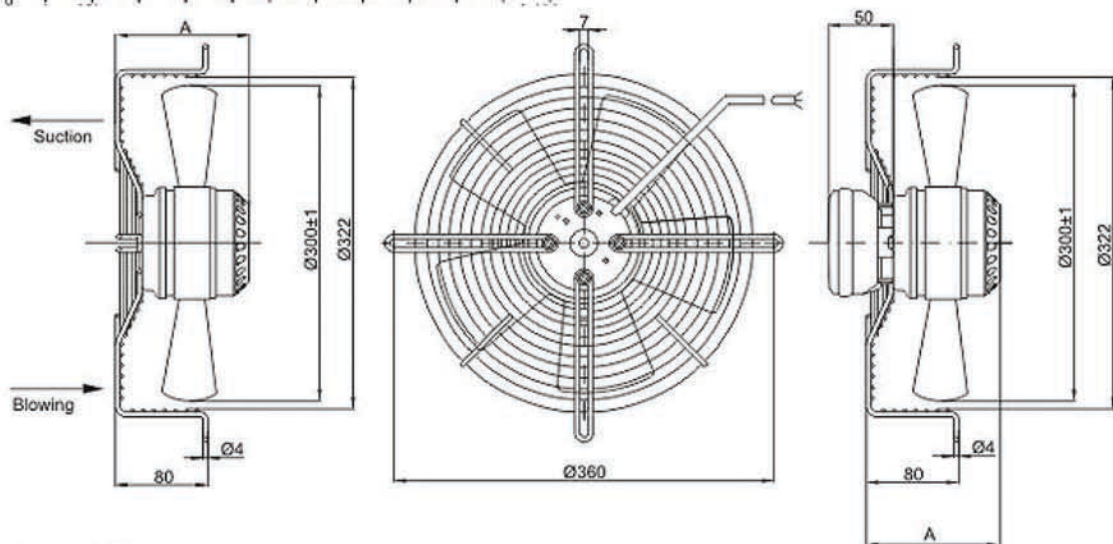
Code Description

Code.	Description		
	Pole	Phase	Diameter
4E300	4	1	300
4D300	4	3	300

Flow Rate Curve-4E/4D300



No.	Pst	Frequency	P1	I
	Pa	Hz	W	A
①	10	50/60	76/107	0.34/0.48
	70	50/60	90/115	0.38/0.48
②	10	50/60	89/106	0.21/0.2
	70	50/60	98/123	0.27/0.25



Technical Parameter

Model	Voltage	Frequency	Input power	Current	Air Volume	Speed	Capacitor	Noise	Max Environmental Temperature	Weight	A
	V	Hz	W	A	m ³ /h	min	uF	dBA	°C	Kg	
4E300	230	50/60	90/115	0.38/0.48	1900/2100	1370/1500	3	55	65	3.2	112
4D300	380	50/60	95/120	0.26/0.24	1950/2150	1400/1600	-	55	65	4	120