



AXIAL FAN

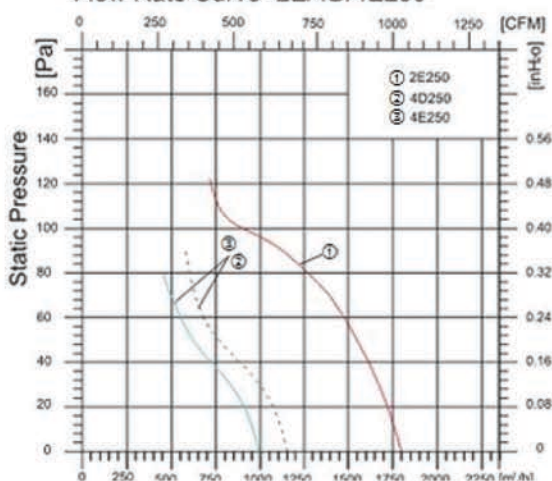
2E250, 4D250, 4E250

Available in Forced (B) and Induced (S) Draft

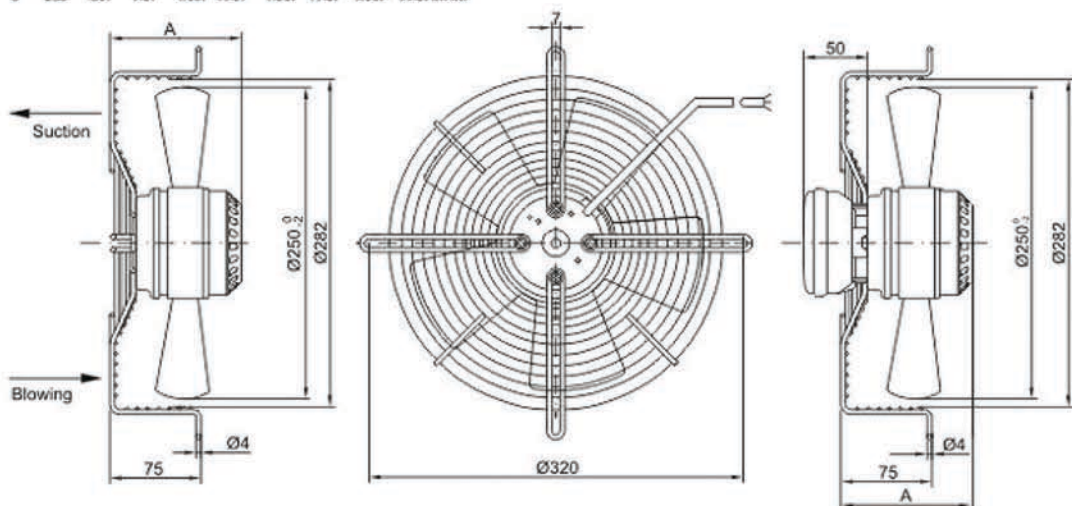
Code Description

Code.	Description		
	Pole	Phase	Diameter
2E250	2	1	250
4D250	4	3	250
4E250	4	1	250

Flow Rate Curve -2E/4D/4E250



No.	Pst	Frequency	P1	I
	Pa	Hz	W	A
①	40	50	178	0.76
	90	50	185	0.81
②	20	50/60	35/41	0.11/0.13
	50	50/60	38/45	0.11/0.13
③	20	50/60	34/48	0.16/0.23
	50	50/60	36/50	0.17/0.24



Technical Parameter

Model	Voltage	Frequency	Input power	Current	Air Volume	Speed	Capacitor	Noise	Max Environmental Temperature	Weight	A
	V	Hz	W	A	m ³ /h	min	uF	dB(A)	C	Kg	
2E250	230	50	180	0.78	1800	2500	4	68	65	3.0	112
4E250	230	50/60	50/65	0.22/0.29	1000/1150	1380/1530	1.5	50	75	2.5	104
4D250	230	50/60	60/70	0.13/0.15	1000/1150	1350/1550	-	50	75	2.7	102