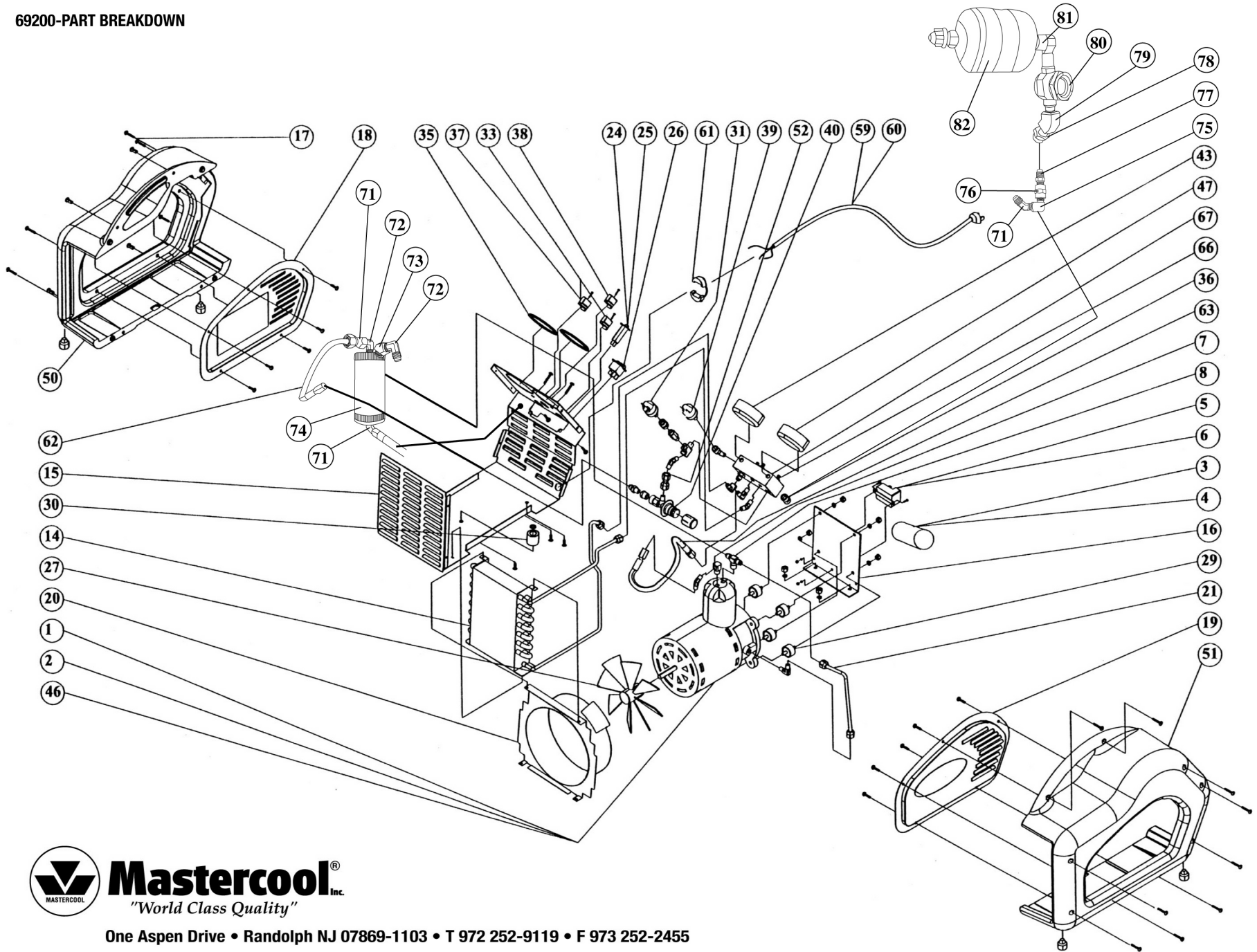


69200-PART BREAKDOWN



**Mastercool**<sup>®</sup> Inc.  
"World Class Quality"

One Aspen Drive • Randolph NJ 07869-1103 • T 972 252-9119 • F 973 252-2455

Bill of Material 69200 Recovery Machine

2	69000-001-220	220V 50/60hz oilless compressor with capacitor and relay
3	69000-001A	115V/60hz oilless compressor with extended shaft
4	69000-001B	Capacitor 100V / 233-280 MFD
5	69000-001C-110	Relay with jumper cable 110V
6	69000-001C-220	Relay with jumper cable 220V
7	69000-001D	90 degree brass flare fitting - 1/4" MPT x 1/8" FPT
8	69000-001E	"T" 2 way male branch 1/4" NPT
13	69000-002	Enclosure for 69000
14	69000-002COND	Condensator w/ cooper extended tubing
15	69000-002MF	Metal main frame for 69000-TAS
16	69000-002MTB	Mounting bracket with screw
17	69000-002SCRW	Enclosure screws for assembly
18	69000-002SDL	Left side metal frame
19	69000-002SDR	Right side metal frame
20	69000-002SHRD	Shroud assembly
21	69000-002TUB	Compressor copper tubing - 90 degrees 6"
24	69000-004	Circuit Breaker - 15 amps/100V
25	69000-004-220	Circuit Breaker - 6 amps/220V
26	69000-005	ON/OFF switch 2 pole/single throw
27	69000-006A	Fan 7" diameter
28	69000-006B	Fan clip
29	69000-007	Vibration mount rubber
30	69000-008	Compressor motor rubber foot mount
31	69000-009	Vacuum shut-off switch
33	69000-010-BKN	Blue knob with screw
35	69000-010-GP	Gauge protector
36	69000-010-INFT	Inlet filter fitting
37	69000-010-RKN	Red knob with screw
38	69000-010-YKN	Yellow knob with screw
39	69000-013-TAS	Manual re-start button
40	6533-01A	Float switch cable
43	69000-H-TAS	High side gauge for refrigerant recovery unit 100V
47	69000-L-TAS	Low side gauge for refrigerant recovery unit / 100V
50	69000-PBLB	Plastic enclosure left side blue
51	69000-PBRB	Plastic enclosure right side blue
52	69000-017	Safety Valve
59	6534-01	6 foot power cord - no outer jacket
60	6534-02-220	8 foot power cord/220V/schuko plug - 3" outerjacket with connection
61	90060-48	Heyco strain relief
62	69000-TAS-INLT	Copper tubing assembly for inlet port
63	69000-TAS-PURG	Copper tubing assembly for purge port
64	69000-100-RELAY	Relay switch
65	69000-RELAY-TAS	Tasco relay switch
66	42103	7/16 - 20 45 degree flare barb
67	FTBLOCK-R	Revised with FT check valve
69	69000-SCKT-TAS	Tasco Relay
70	69000-SCKT-CLIP	Socket Clip
71	6501-02	1/4" Flare Swivel Union Nut
72	0281-033	1/4" FL x 1/8" MPT 90° elbow
73	0281-007	1/8" FPT x 1/8" MPT 45° elbow
74	69375-A	Oil Separator for 69000
75	0370-027	1/8" MPT x 1/8" F stoed 90° elbow
76	0127-055	1/8" NPT Coupling
77	90296	1/4" MFL x 1/8" MPT fitting
78	69100-FT NUT	FT Nut 1/8 NPT-M x O-Ring
79	69000-927	1/8" NPT-F x 1/8 NPT-F 45°
80	69000-104	Sight Glass 1/8" NPT-F 1/8" NPT-M
81	69214	90° 1/8 NPT-M x 1/4 F-F
82	69500-DR	Dryer for 69500